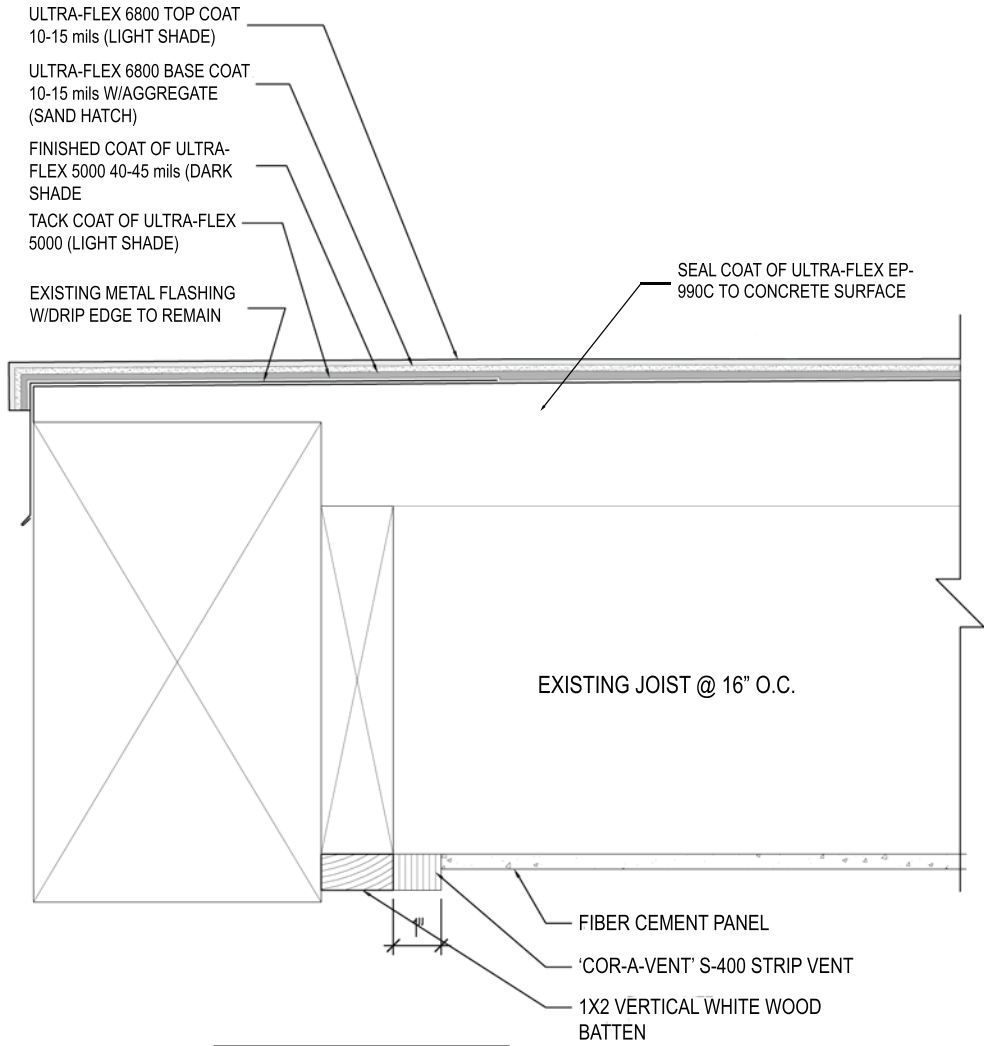


# BALCONY

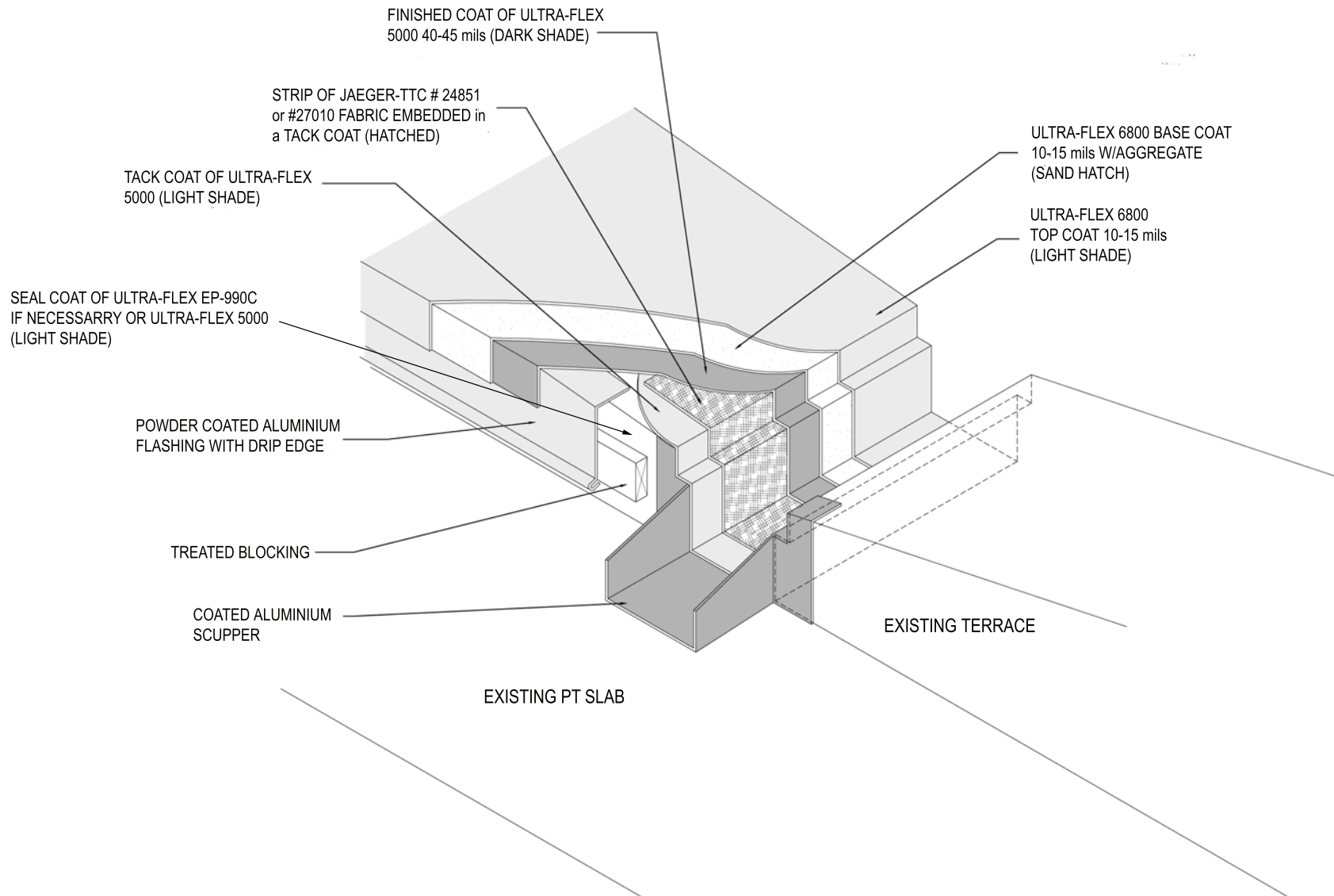


# BALCONY



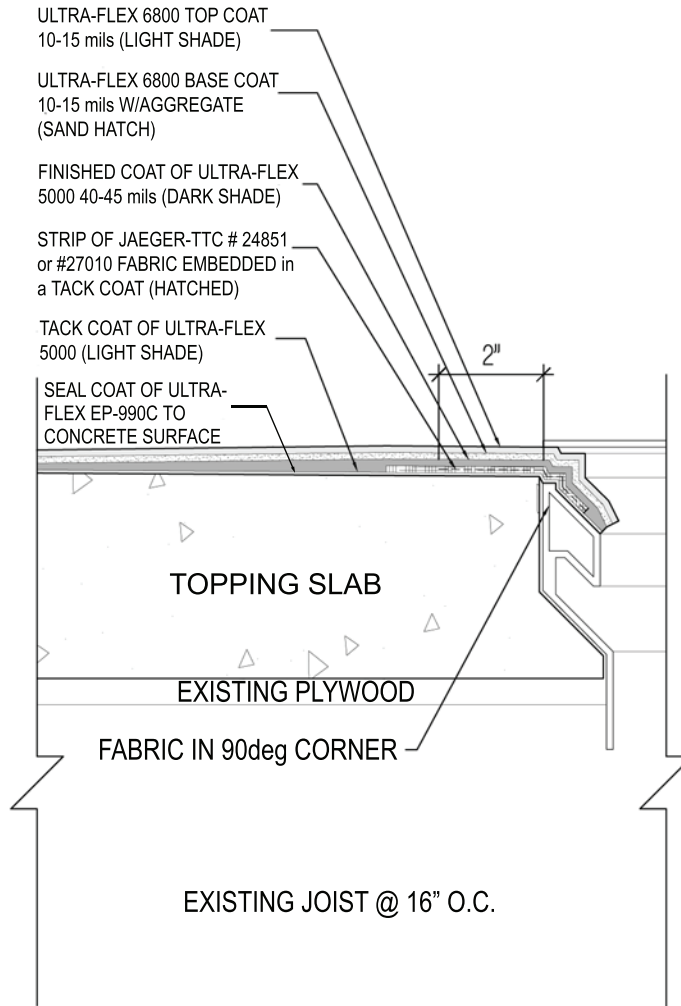
--

Title
BALCONY EDGE DETAIL



Title  
**STANDARD CONCRETE  
 TROUGH & SCUPPER  
 DETAIL W/NON-SKID**

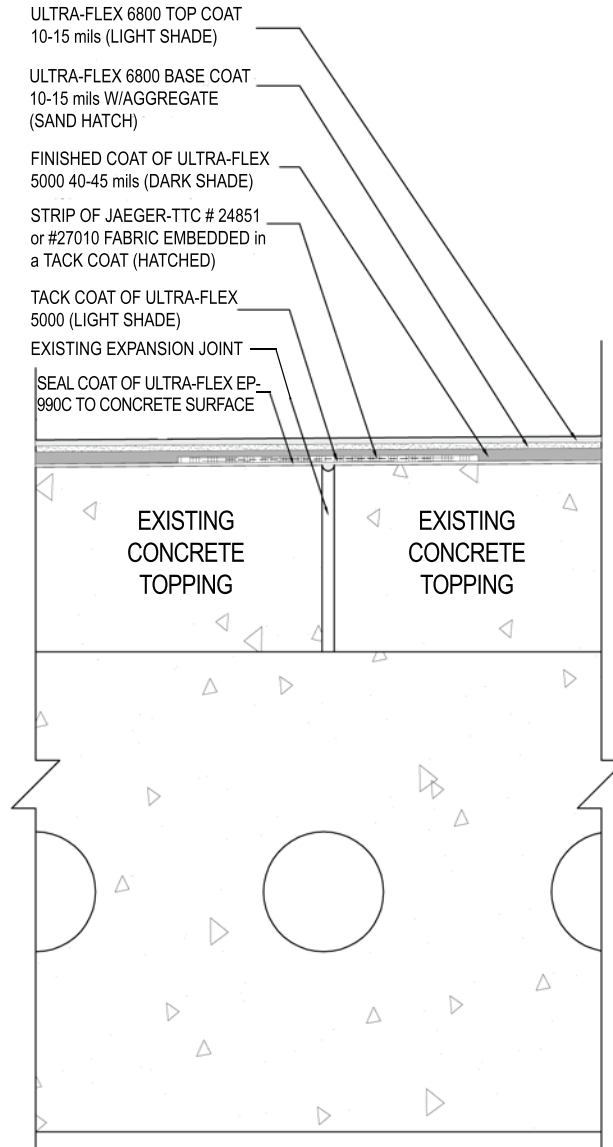
GENERAL NOTE:  
PRESSURE WASH EXISTING SLAB  
PRIOR TO INSTALLATION OF  
WATERPROOFING SYSTEM



**LAVA-LINER**

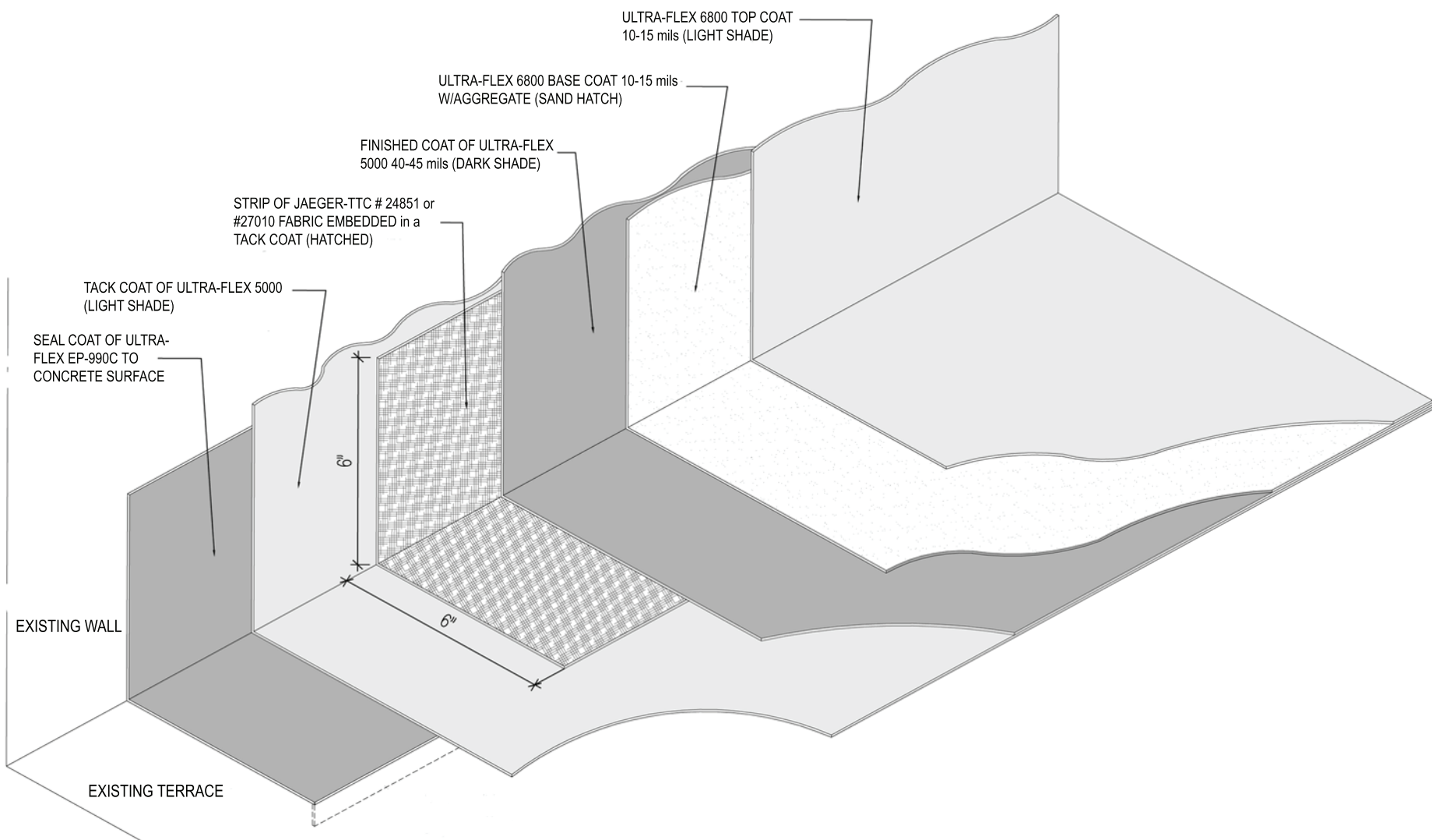
TYPICAL DRAIN DETAIL

**GENERAL NOTE:**  
PRESSURE WASH EXISTING SLAB  
PRIOR TO INSTALLATION OF  
WATERPROOFING SYSTEM



**LAVA-LINER**

TYPICAL EXPANSION  
JOINT DETAIL



Title  
**WALL TO FLOOR  
 FLASHING DETAIL  
 W/NON-SKID SURFACE**